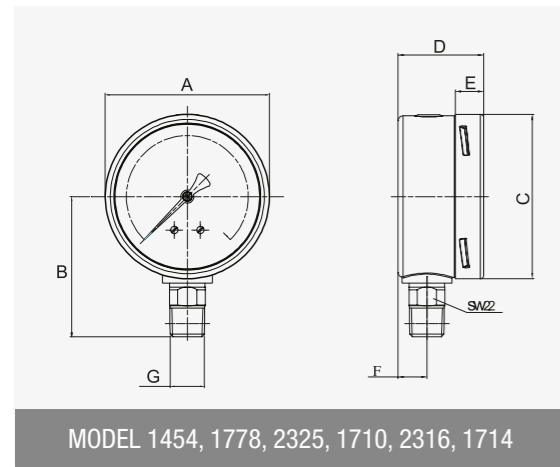


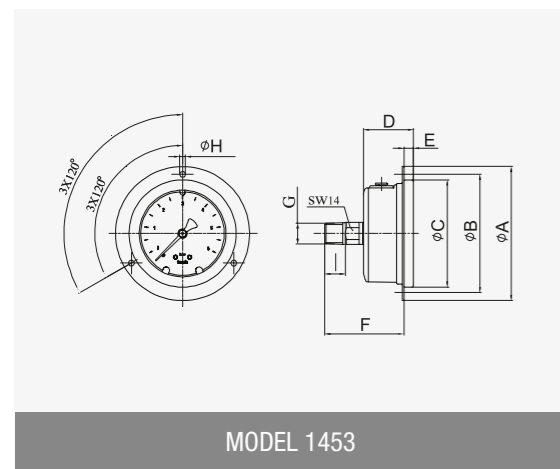
MAXIMATOR supply pressure gauges of size diameter 63mm, diameter 100mm and diameter 160mm (panel mount or bottom connection). A wide range of pressure rating from 16bar up to 4,000bar. Please consult our sales offices.

Pressure gauges are liquid-filled, made of stainless steel casing and complies with IP65 to EN60 529 / IEC529

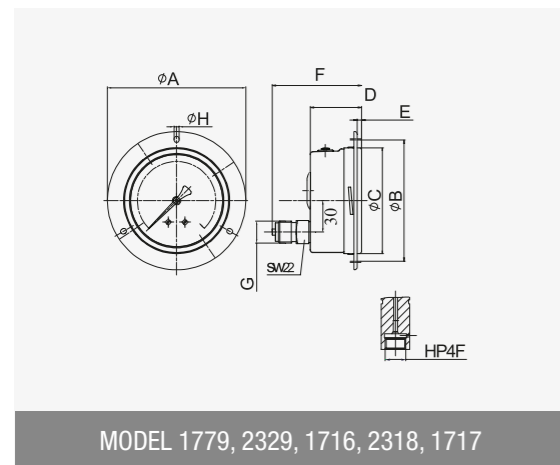


GAUGES BOTTOM CONNECTION (DIMENSION in mm)							
Model No	A	B	C	D	E	F	G
1454 ND 63	68	54	62	32	5	13	1/4" NPT
1778 ND 100	101	87	100	54	16.7	17.7	1/2" NPT
2325 ND 100	101	87	100	54	17.5	17.7	1/2" NPT /G1/2"
1710 ND 100	101	87	100	54	17.5	17.7	G1/2" /HP4F*
2316 ND 160	161	118	159	67	17.5	15.5	G1/2"
1714 ND 160	161	118	159	49.5	17.5	15.4	G1/2" /HP4F*

* UP TO 2000 BAR-G1/2" ; 2500 / 4000 BAR-HP4F



GAUGES CENTER BACK (DIMENSION in mm)								
Model No	A	B	C	D	E	F	G	H
1453 ND 63	85	75	68	32	5	50	1/4" NPT	3.6



GAUGES LOWER BACK CONNECTION (DIMENSION in mm)								
Model No	A	B	C	D	E	F	G	H
1779 ND 100	132	116	101	54	6	85.5	1/2" NPT	4.8
2329 ND 100	132	116	101	54	6	85.5	1/2" NPT /G1/2"	4.8
1716 ND 100	132	116	101	54	6	87	G1/2" /HP4F**	4.8
2318 ND 160	196	178	161	67	5	100	G1/2"	5.8
1717 ND 160	196	178	161	54	5	90	G1/2" /HP4F**	5.8

** 1600 BAR-G1/2" ; 2000 / 4000 BAR-HP4F

MODEL	1454	1453
Diameter	63mm	63mm
Pressure Connection	1/4" NPT	1/4" NPT
Pressure Range	Up to 1000 Bar	Up to 1000 Bar
Accuracy Class	1.6	1.6
Wetted Parts	Cu Zn alloy	Cu Zn alloy
Temperatures Process Medium Ambient	-20°C to 80°C -25°C to 60°C	-20°C to 80°C -25°C to 60°C
Process Medium	0.21 kg	0.26 kg

MODEL	1778	1779	2325	2329	1710	1716
Diameter	100mm	100mm	100mm	100mm	100mm	100mm
Pressure Connection	1/2" NPT	1/2" NPT	1/2" NPT / G 1/2"	1/2" NPT / G 1/2"	G 1/2" / HP4F	G 1/2" / HP4F
Pressure Range	Up to 1000 Bar	Up to 1000 Bar	Up to 1000 Bar	Up to 1000 Bar	1600-4000 Bar	1600-4000 Bar
Accuracy Class	1.0	1.0	1.0	1.0	1.0	1.0
Wetted Parts	Cu Zn alloy	Cu Zn alloy	Stainless Steel	Stainless Steel	Stainless Steel / Ni Span	Stainless Steel / Ni Span
Temperatures Process Medium Ambient	-20°C to 80°C -25°C to 60°C	-20°C to 80°C -25°C to 60°C	-20°C to 100°C -25°C to 60°C	-20°C to 100°C -25°C to 60°C	-20°C to 80°C -25°C to 60°C	-20°C to 80°C -25°C to 60°C
Process Medium	0.90 kg	0.90 kg	1.00 kg	1.00 kg	0.70 kg	0.70 kg

MODEL	2316	2318	1714	1717
Diameter	160mm	160mm	160mm	160mm
Pressure Connection	G 1/2"	G 1/2"	G 1/2" / HP4F	G 1/2" / HP4F
Pressure Range	Up to 1600 Bar	Up to 1600 Bar	1600-4000 Bar	1600-4000 Bar
Accuracy Class	1.0	1.0	1.0	1.0
Wetted Parts	Stainless Steel	Stainless Steel	Stainless Steel /Ni Span	Stainless Steel /Ni Span
Temperatures Process Medium Ambient	-20°C to 100°C -25°C to 60°C	-20°C to 100°C -25°C to 60°C	-20°C to 80°C -25°C to 60°C	-20°C to 80°C -25°C to 60°C
Process Medium	2.10 kg	2.10 kg	1.10 kg	1.10 kg